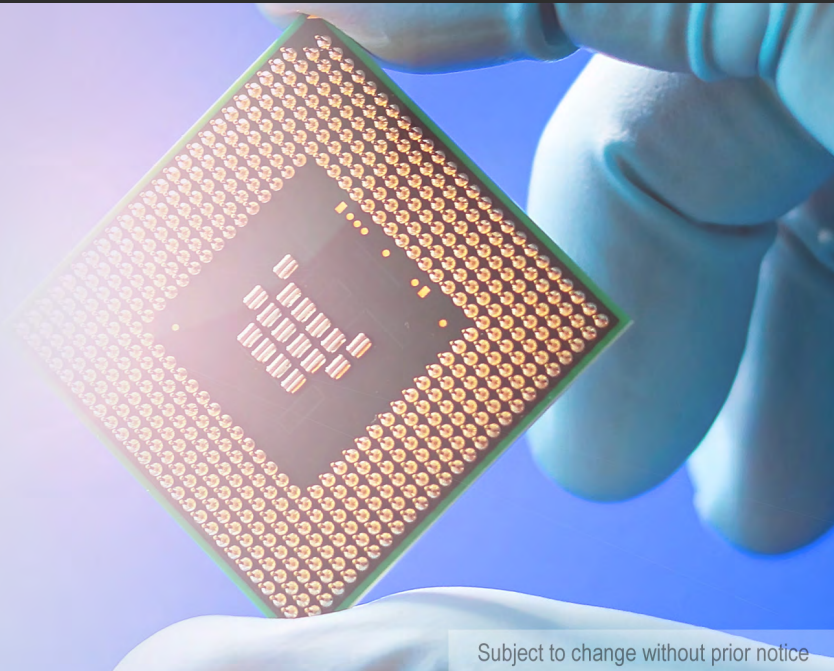


Aikri QCS4290 System On Module (SoM)

Based on the Qualcomm® QCS4290 SoC



Subject to change without prior notice

About eInfochips

eInfochips is product engineering services company offering technology consulting and product design services in multiple industry verticals like aerospace & defense, security and surveillance, medical and healthcare, industrial and home Automation, consumer electronics and more.

eInfochips being a Qualcomm Snapdragon Technology Partner (STP) offers turnkey product designs on multiple Snapdragon and other SoCs of Qualcomm® and have enabled global customers with Qualcomm based product designs.

eInfochips Advantages

- 28 Years of experience in system design
- 10 Design centers worldwide
- 500+ Product designs
- 35+ Product designs on Qualcomm
- 15M+ Product deployments across globe
- ISO 9001, ISO13485, AS9100/EN9100, ISO26262 and CMMi L3 compliant processes

eInfochips Aikri QCS4290 SoM

eInfochips Aikri QCS4290 System on Module (SOM) is based on Qualcomm® QCS4290 System on Chip (SOC). It delivers greater performance, better graphics, and broader connectivity options.

QCS4290 integrates a 64-bit Octa-Core Qualcomm® Kryo™ 260 application processor (Quad Gold cores operating at 2.0 GHz and Quad Silver cores at 1.8 GHz), Qualcomm® Hexagon™ DSP, Qualcomm® Adreno™ 610 GPU, and Qualcomm® Spectra™ 340T image signal processor. QCS4290 supports Wi-Fi 5 and enhanced Bluetooth 5.1 which offers battery-saving and enhanced security for robust connections.

QCS4290 SoM enables OEMs to use readily available design solution for their next-gen business application while minimizing design risk factors and reducing design cycle time with early time to market.

Surveillance Cameras

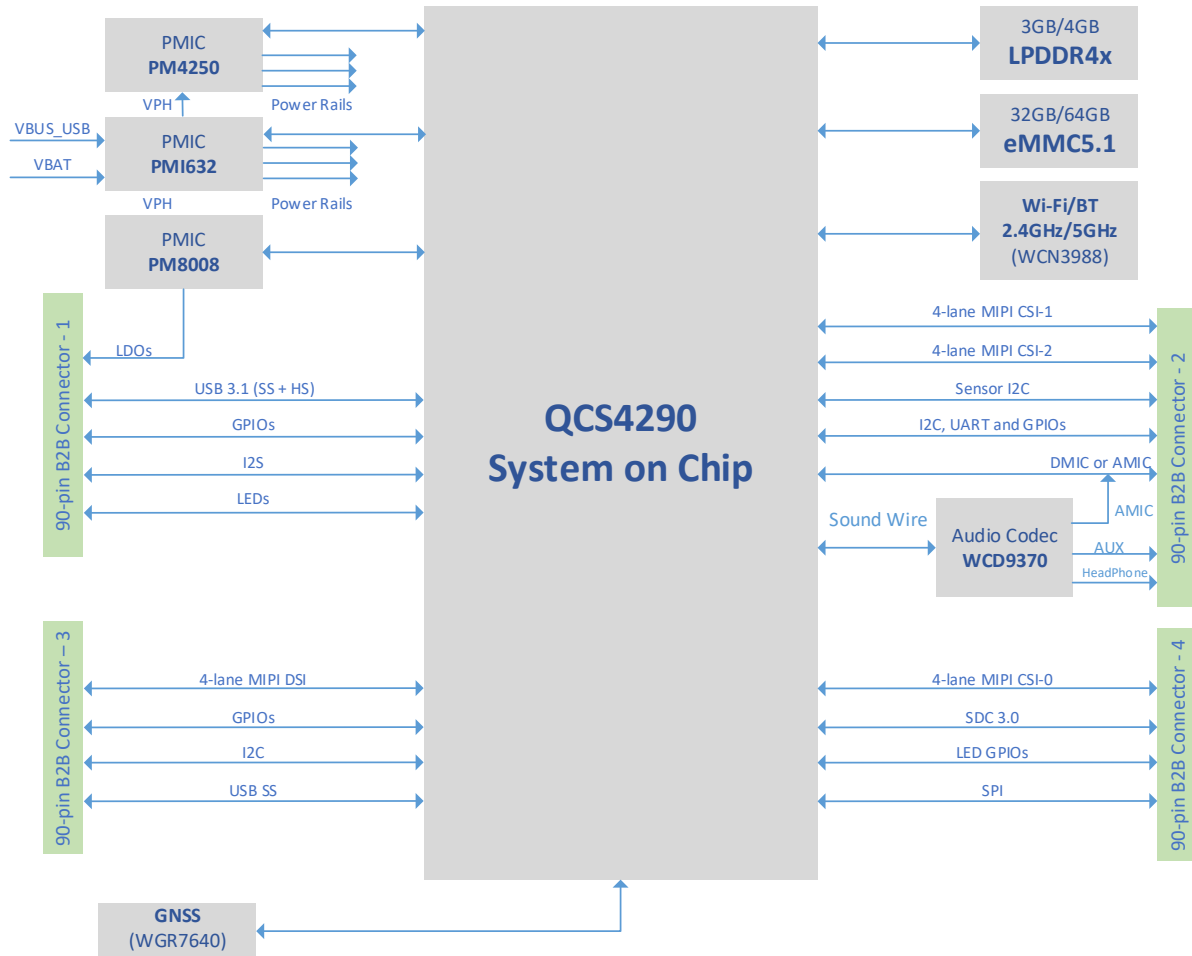
Robotics

Industrial Handhelds

Telehealth / Medical Devices

Digital Signage / HMI

Security Panels



Preliminary specification – subject to change

Processor

- Qualcomm® QCS4290
- 64-bit Octa-core Kryo™ 260
 - Quad high-performance Gold cores at 2.0 GHz with 1 MB L2 cache
 - Quad low-power Silver cores at 1.8 GHz with 512 KB L2 cache
- Qualcomm™ Hexagon™ DSP with dual HVX at 1.0 GHz; Integrated low-power island (LPI) DSP, shared between sensors and audio
- Qualcomm® Adreno™ GPU 610 at 950 MHz with 64-bit addressing

Memory / Storage

- 4GB LPDDR4x
- 64GB eMMC 5.1

Connectivity

Wi-Fi:

- Qualcomm® Wi-Fi via WCN3988 WLAN 1 x 1 802.11a/b/g/n/ac

Bluetooth:

- Bluetooth 5.1

USB

- 1x USB3.1

Audio

- WCD9370 Audio codec
- Soundwire, I2S, SLIMbus to WCN3988 BT

Camera

- Spectra 340T ISP
- 3x 4-lane CSIs (4/4/4 or 4/4/2/1 configuration)
- D-PHY 2.5Gbps/lane

Display

- 1x 4-lane MIPI-DSI
- D-PHY 1.2 at 1.5 Gbps per lane, FHD+ (1080 x 2520)

Video

Encode:

- 1080p60 8-bit HEVC/H264

Decode:

- 1080p60 8-bit HEVC/H264

Sensors

- SPI, I2C, I3C, GPIO connections to sensor core DSP

Others

- USB 3.1; SDIO; I2S; UART, I2C, I3C, SPI
- GPIO

Operating Environment

- Input Voltage: 3.6V
- Operating Temperature: -30 to +85° C

Mechanical Specification

- SOM: 58mm x 39mm x 4mm*/5.41mm# with 4x 90-pin board to board connectors

*Stacking height
#Standalone height

Operating System

- Android 12, Kernel 4.19

Orderable Part

- System On Module (SOM): Aikri-42X-90AS

eInfochips, an Arrow company, is a leading global provider of product engineering and semiconductor design services. With over 500+ products developed and 40M deployments in 140 countries, eInfochips continues to fuel technological innovations in multiple verticals. The company's service offerings include digital transformation and connected IoT solutions across various cloud platforms, including AWS and Azure.

Qualcomm Adreno and Qualcomm Quick Charge are products of Qualcomm Technologies, Inc. Qualcomm, Snapdragon, Adreno and Quick Charge are trademarks of Qualcomm Incorporated, registered in the United States and other countries. Used with permission.

eInfochips reserves the right to make changes to the information, text, graphics or other items contained within this material at any time, without any prior notice. eInfochips will make their best effort, however cannot commit to keep this material up-to-date. To be assured that you have the latest material, you are encouraged to contact sales@einfochips.com. All brands, logos, product names and service names are trademarks or registered trademarks of their respective companies or organizations.

FOLLOW US



/einfochips



/einfochipsLtd



/einfochips



/einfochipsindia