

QCS8250 System on Module



Based on the Qualcomm® QCS8250 SoC Platform



Subject to change without prior notice

About eInfochips

eInfochips is product engineering services company offering technology consulting and product design services in multiple industry verticals like aerospace & defense, security and surveillance, medical and healthcare, industrial and home Automation, consumer electronics and more.

eInfochips being a Qualcomm Snapdragon Technology Partner (STP) offers turnkey product designs on multiple Snapdragon and other SoCs of Qualcomm® and have enabled global customers with Qualcomm based product designs.

Engineering Highlights

- **25+ years** of experience in system design
- **7** Design centers spread across USA & India
- **500+** Product designs
- **35+** Product designs on Qualcomm
- **15M+** Product deployments across globe
- **ISO 9001** and **CMMi L3** compliant processes

eInfochips QCS8250 SOM

QCS8250 System on Module (SOM) is based on Qualcomm® QCS8250 System on Chip (SOC). It is powerful computing for collaboration, video conferencing, tele-health, artificial intelligence & machine learning applications, with exceptional power and thermal efficiency. QCS8250 incorporates four Kryo™ 585 Gold cores operating at 2.4GHz (three cores) & 2.8GHz (one core) and four Kryo™ 585 Silver cores operating at 1.8GHz. For AI acceleration, high-end camera, collaboration use cases, SoC incorporates dedicated NPU230, Hexagon 698 with quad hexagon vector processor (HVX), Adreno 650 GPU and Spectra 480 ISP.

QCS8250 SOM enables OEMs to use readily available design solution for their compute application needs while minimizing design risk factors and reducing design cycle time.

AI and ML Applications

4K Camera

Telehealth / Medical

Collaboration

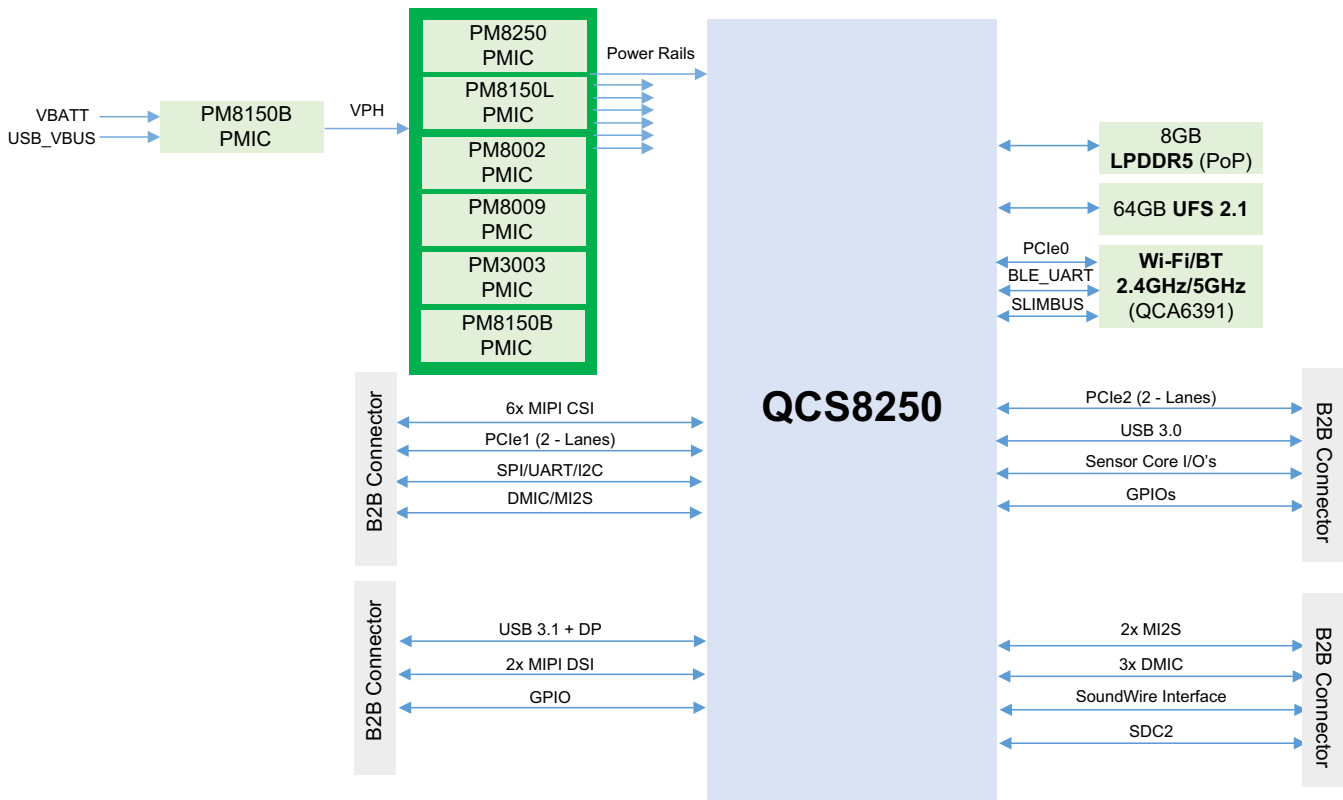
Machine Vision

Digital Signage / HMI

Video Conferencing Systems

Robotics

Telematics



Datasheet Rev 0.1

Note: This is preliminary information and subject to change without notice

Processor

- Qualcomm® QCS8250
- 64-Bit Octa-core Kryo™ 585
- Hexagon™ DSP with quad HVX
- Adreno™ 650 GPU, 655 VPU
- Spectra™ 480 Dual 14-bit ISP

Memory and Storage

- 8 GB LPDDR5 PoP Memory
- 64 GB UFS 2.1

Connectivity

Wi-Fi:

- Qualcomm® Wi-Fi via QCA6391 802.11a/b/g/n/ac/ax 2.4/5.0 GHz
- Antenna – 2x Chip Antenna

Bluetooth:

- Support BT 5.0 + HS and backward compatible with BT 1.x, 2.x + EDR

USB:

- 1x USB3.1 with DP
- 1x USB3.0

Audio

- 2x MI2S
- 3x DMIC
- 1x SoundWire

Camera

- 6x 4-lane MIPI CSI Support
- D-PHY & C-PHY Support

Display

- 2x 4-Lane MIPI DSI
- DisplayPort over USB3.1

Video

Encode:

- H.265 Main 10, H.265 Main, H.264 High, and VP8 codecs
- Video encode up to 4K120 or 8K30

Decode:

- H.265 Main 10, H.265 Main, H.264 High, VP9profile 2, VP8, and MPEG-2 codecs
- Video decode up to 4K240 or 8K60

Simultaneous Encode + Decode:

- 4K 60D + 4K 30E

Sensors

- Dedicated sensor core I/O's via Board-to-Board Connector

Others

- 2x PCIe Support
- SPI/I3C/I2C/UART/I2S/ and GPIOs
- 1x SD Card Interface

Power Specification

- Power supply input: 12V/5A input via Carrier Board
- VBATT Support

Mechanical Specification

- SOM: 59.7 mm x 32.2 mm

Operating System

- Android 10.0

Orderable Part

- System On Module (SOM): EIC-QCS8250-200

Preliminary specification – subject to change

FOLLOW US



/eInfochips



/einfochipsLtd



/eInfochips



/einfochipsindia



/eInfochips_Solution

eInfochips, an Arrow company, is a leading global provider of product engineering and semiconductor design services. With over 500+ products developed and 40M deployments in 140 countries, eInfochips continues to fuel technological innovations in multiple verticals. The company's service offerings include digital transformation and connected IoT solutions across various cloud platforms, including AWS and Azure.

Qualcomm Adreno and Qualcomm Quick Charge are products of Qualcomm Technologies, Inc. Qualcomm, Snapdragon, Adreno and Quick Charge are trademarks of Qualcomm Incorporated, registered in the United States and other countries. Used with permission. eInfochips reserves the right to make changes to the information, text, graphics or other items contained within this material at any time, without any prior notice. eInfochips will make their best effort, however cannot commit to keep this material up-to-date. To be assured that you have the latest material, you are encouraged to contact sales@einfochips.com. All brands, logos, product names and service names are trademarks or registered trademarks of their respective companies or organizations.